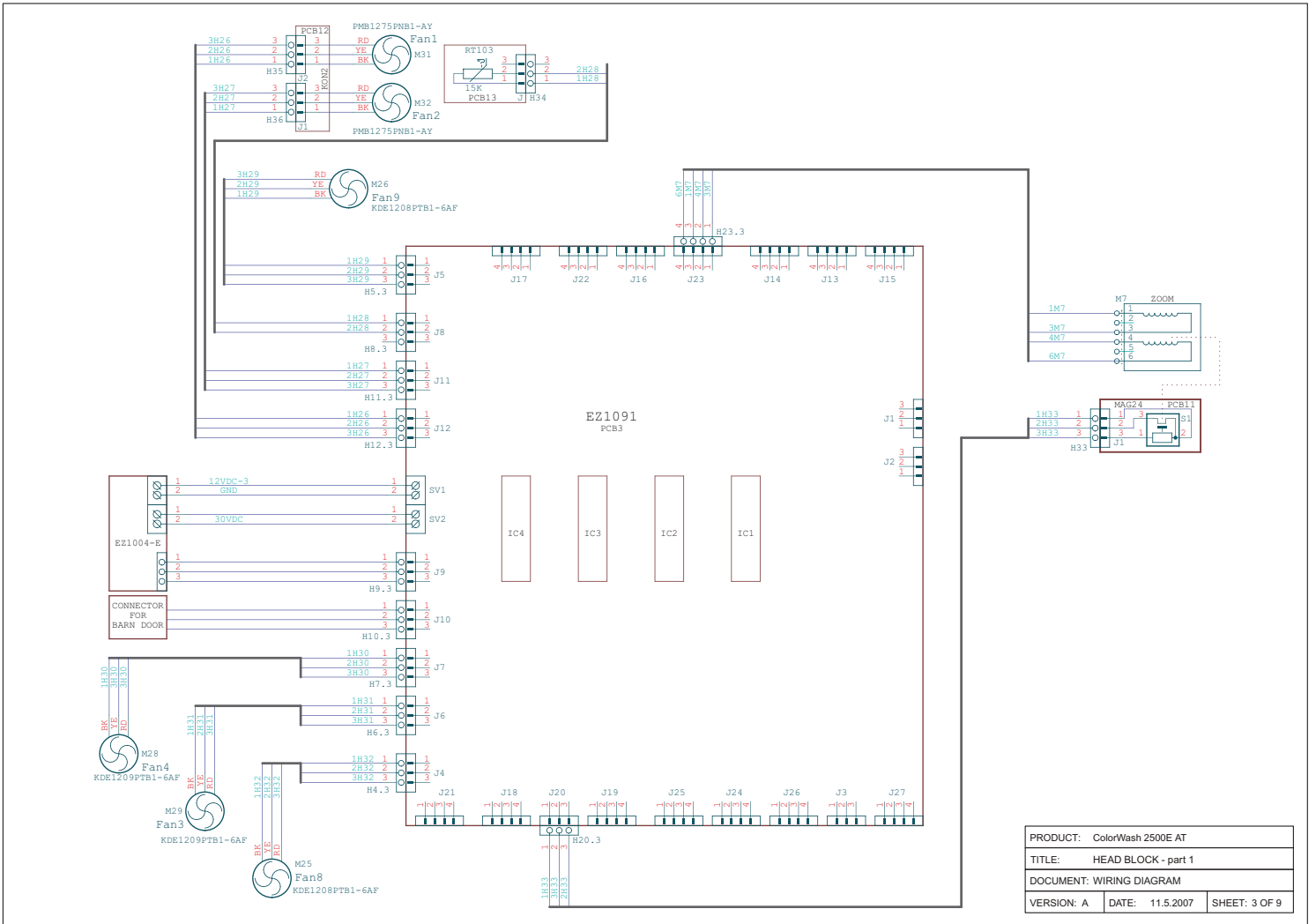
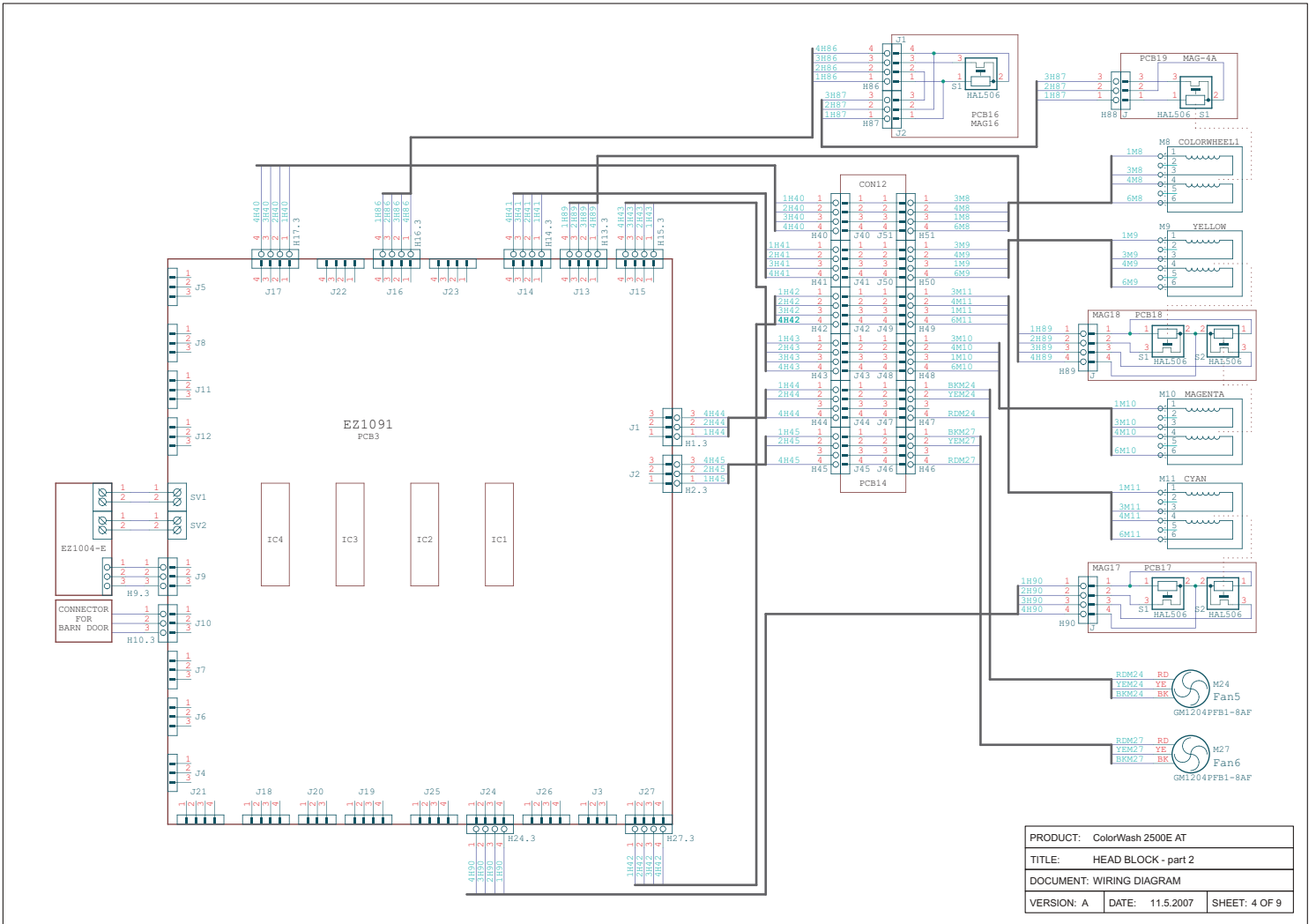
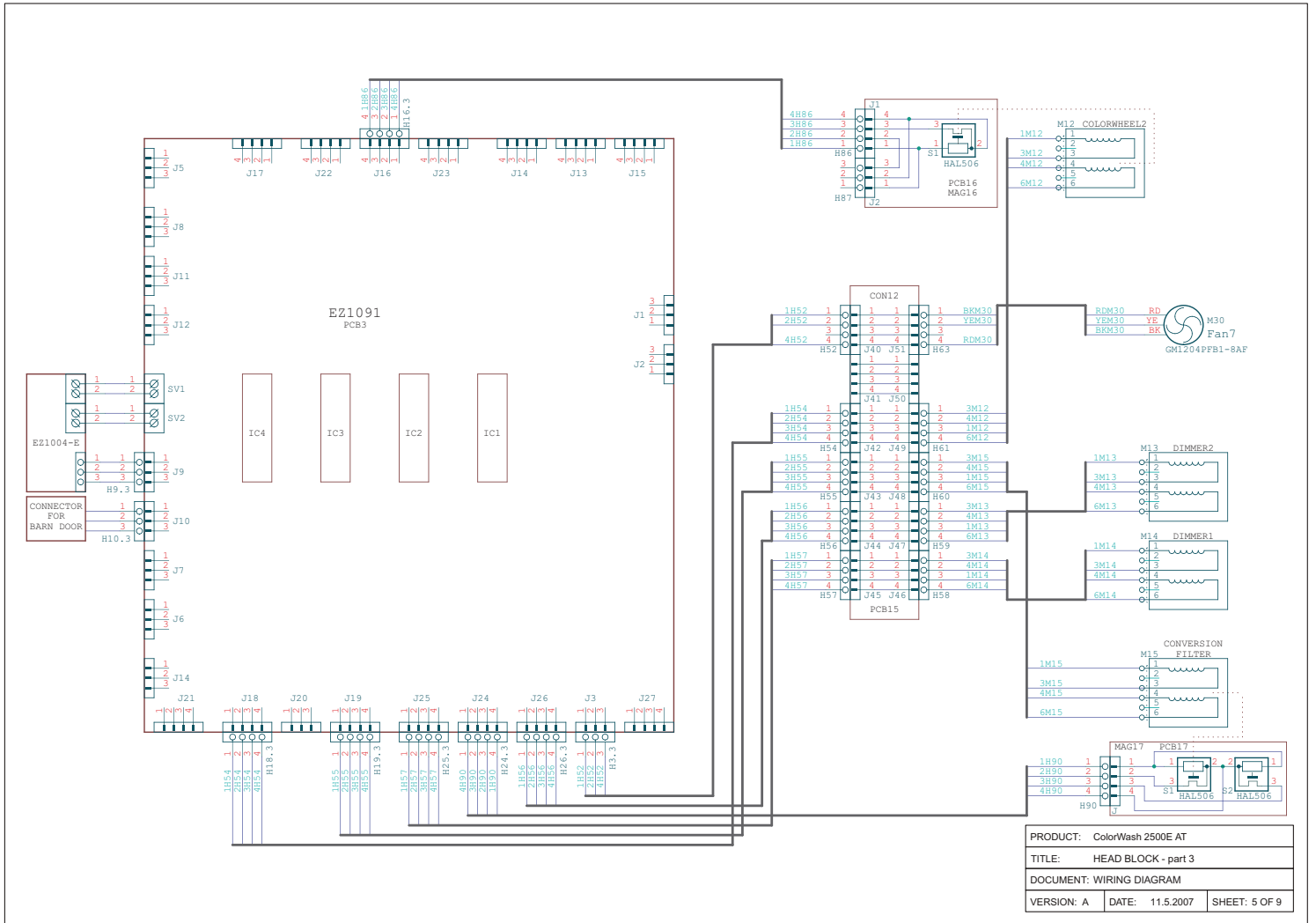


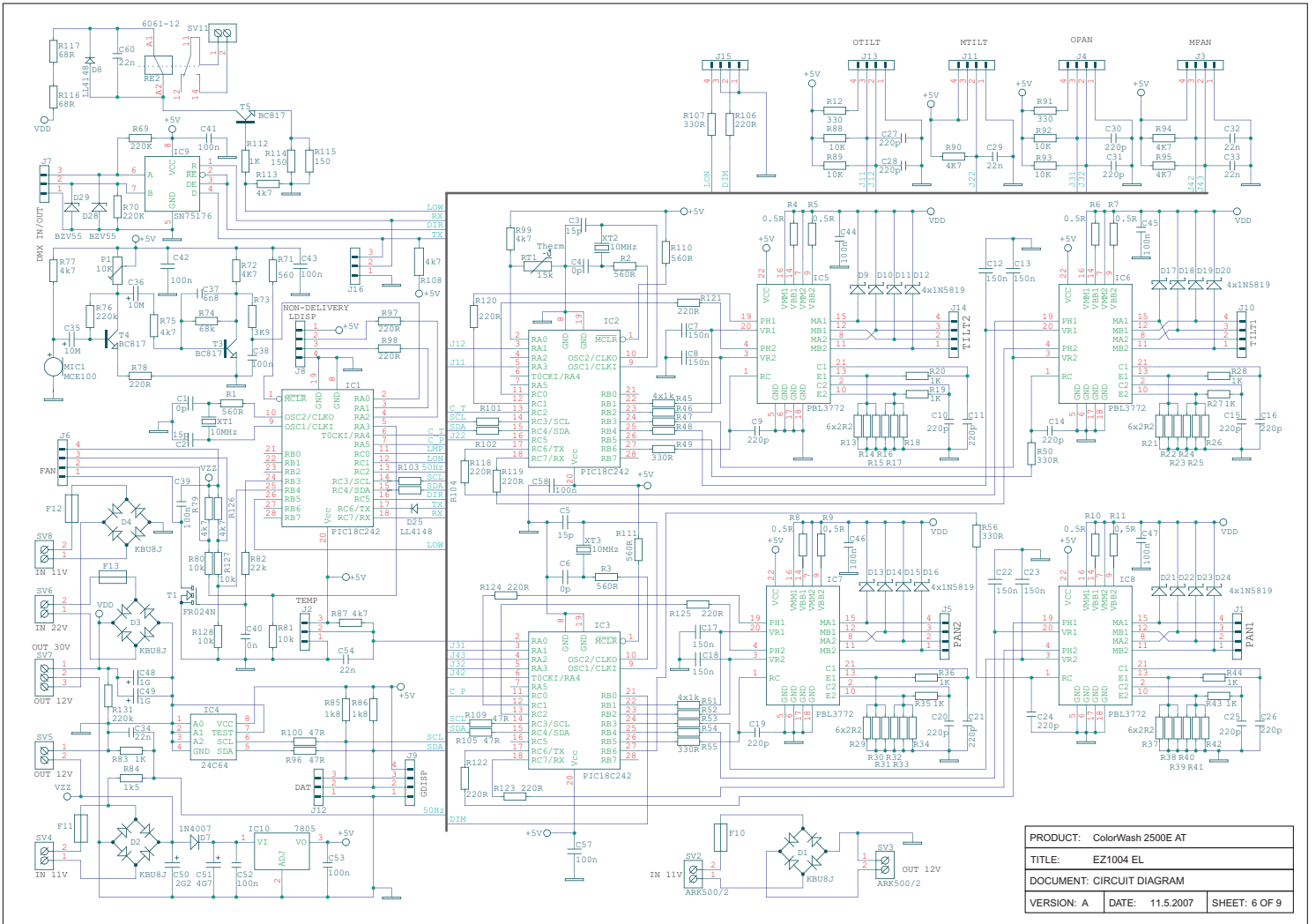
PRODUCT:	ColorWash 2500E AT
TITLE:	BASIC BLOCK
DOCUMENT:	WIRING DIAGRAM
VERSION:	A
DATE:	11.5.2007
SHEET:	2 OF 9



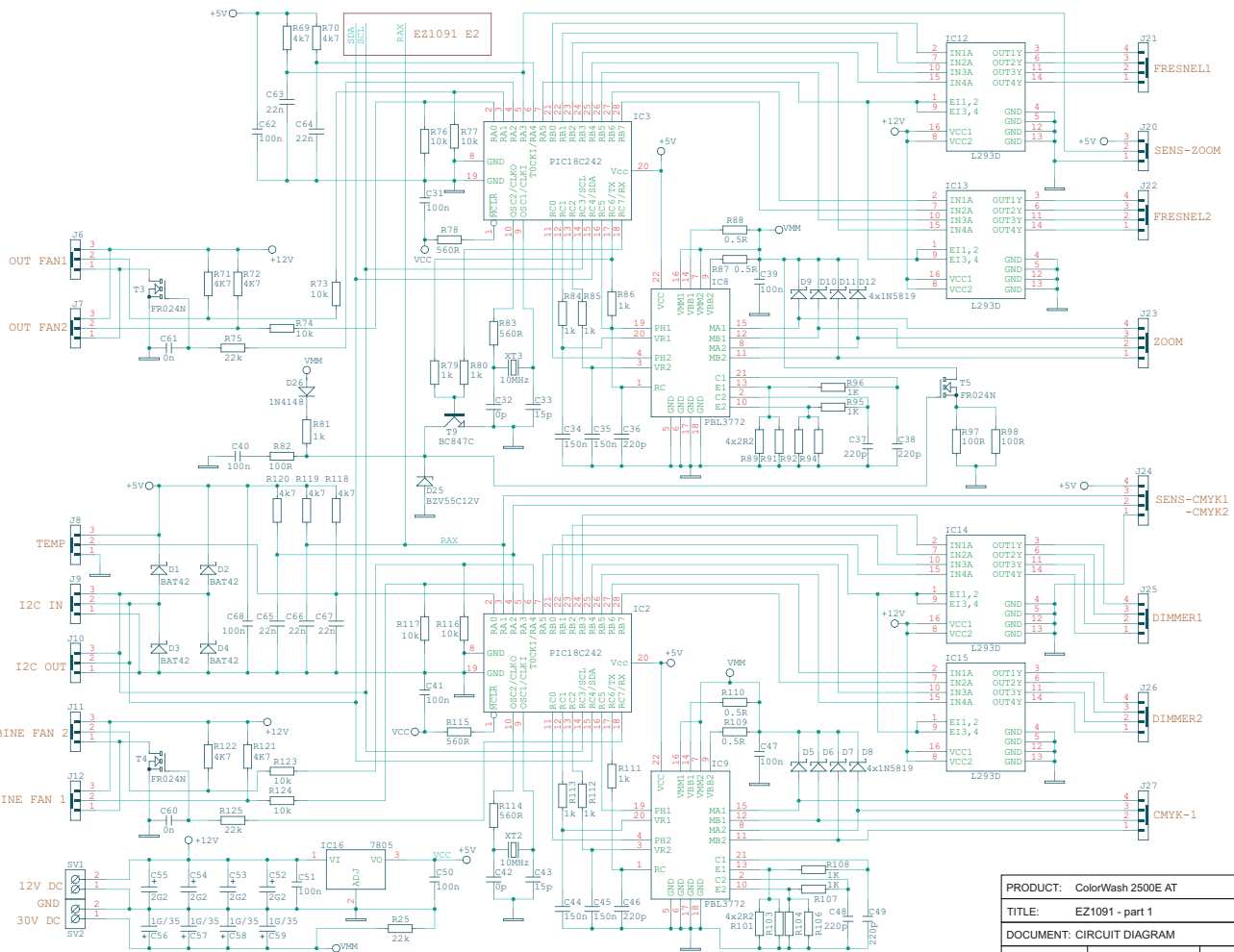


PRODUCT: ColorWash 2500E AT		
TITLE: HEAD BLOCK - part 2		
DOCUMENT: WIRING DIAGRAM		
VERSION: A	DATE: 11.5.2007	SHEET: 4 OF 9

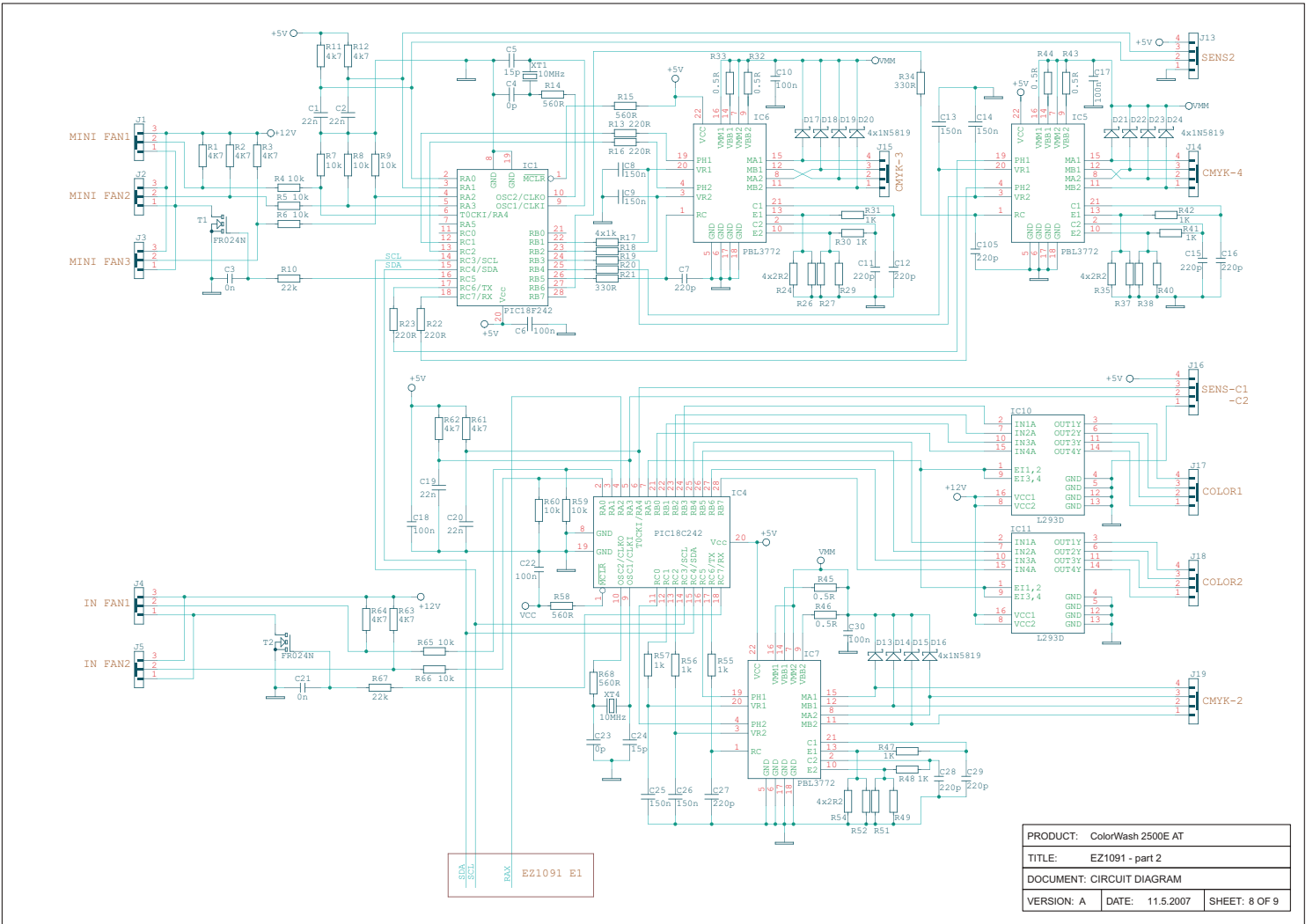




PRODUCT:	ColorWash 2500E AT
TITLE:	EZ1004 EL
DOCUMENT:	CIRCUIT DIAGRAM
VERSION:	A
DATE:	11.5.2007
SHEET:	6 OF 9



PRODUCT:	ColorWash 2500E AT		
TITLE:	EZ1091 - part 1		
DOCUMENT:	CIRCUIT DIAGRAM		
VERSION:	A	DATE:	11.5.2007
		SHEET:	7 OF 9



PRODUCT:	ColorWash 2500E AT
TITLE:	EZ1091 - part 2
DOCUMENT:	CIRCUIT DIAGRAM
VERSION:	A
DATE:	11.5.2007
SHEET:	8 OF 9

SDA
SCL
E21091 E1

